

# AQUATIC AV®

products with a watertight reputation

## AQ-DM-6UBT DIGITAL MEDIA LOCKER™

for Bluetooth, USB, Apple iOS, Android, MP3 devices and FM Radio

### USER / INSTALLATION MANUAL



! PLEASE READ THIS INSTRUCTION MANUAL BEFORE  
INSTALLATION AND OPERATION !

<b>1 Getting Started</b> .....	3
1.1 Contents.....	3
1.2 Connections.....	3
1.3 12-pin Harness Connection.....	4
1.4 Mounting the Digital Media Locker.....	5
1.5 Bluetooth Antenna Installation.....	5
1.6 Power On.....	6
1.7 Handheld Remote Control Charging.....	6
1.8 Handheld Remote Control Synchronizing.....	6
<b>2 Location of Controls</b> .....	7
2.1 Digital Media Locker Controls.....	7
2.2 Door Keypad Controls.....	8
2.3 Wireless Handheld Remote Control.....	9
<b>3 Listening to Devices</b> .....	10
3.1 Listening via USB.....	10
3.1.1 Listening via USB.....	10
3.1.2 Navi Search.....	10
3.1.3 Random Playing.....	10
3.1.4 Device Charging.....	10
3.2 Listening via Bluetooth.....	10
3.2.1 Pair with Bluetooth Device.....	10
3.2.2 Listening via Bluetooth Device.....	11
3.2.3 Bluetooth Multi-link.....	11
3.3 Listening via Auxiliary Input.....	11
3.4 Adjust Volume Level.....	11
<b>4 Listening to FM Radio</b> .....	12
4.1 Enter FM Radio Mode.....	12
4.2 Scan or Seek FM Radio Channels.....	12
4.3 Saving Radio Channel to Memory.....	12
4.4 Listening to Saved Radio Memory.....	12
4.5 Adjust Volume Level.....	12
<b>5 Additional Features</b> .....	13
5.1 Audio Menu.....	13
5.2 Virtual Bass (VBass).....	13
5.3 External 12V Triggers.....	13
5.4 Internal Dock Light.....	13
5.5 Bluetooth Halo Aerial Technology.....	14
5.6 Connecting Multiple Amplifiers or High Current Draw Lighting Systems.....	14
<b>6 Specifications &amp; Dimensions</b> .....	15
6.1 Specifications.....	15
6.2 Dimensions.....	15
<b>7 Warranty Information</b> .....	16

## 1.1 Contents


- AQ-DM-6UBT Digital Media Locker
- 2-Way RF Waterproof Remote Control (AQ-RF-6UBT-T)
- Wiring Harness (AQ-UNH-2 or manufacturers version)
- Six (6) Stainless Steel Mounting Screws
- Mounting Template\*
- User/Installation Manual
- Bluetooth Antenna

\*Retail packaged models only.

## 1.2 Connections (see Diagram 1.2.1)

### 1. 12-pin Watertight Harness

The 12-pin harness supplies power and ground connections to the Digital Media Locker and four (4) speaker channel output connections from the Digital Media Locker (see Wiring Diagram 1.3.1 on page 4).

 *Do not cut or modify the 12-pin harness on the Bluecube+ side or warranty will be void.*

### 2. FM/AM Radio Antenna Jack

Allows connection of FM/AM radio antenna. For best FM/AM performance make sure the antenna is extended to the highest achievable position.

### 3. Auxiliary Outputs - Rear

Allows external amplifiers to be connected to power additional speakers.

### 4. Auxiliary Outputs - Front

Allows external amplifiers to be connected to power additional speakers.

### 5. Auxiliary Inputs

Allows an additional RCA input, from a standalone unit or another stereo source.

### 6. 12V DC External Trigger (x2)

Allows for external lighting or relays to be triggered (2A max load).

### 7. Wired Remote 8-pin DIN Cable

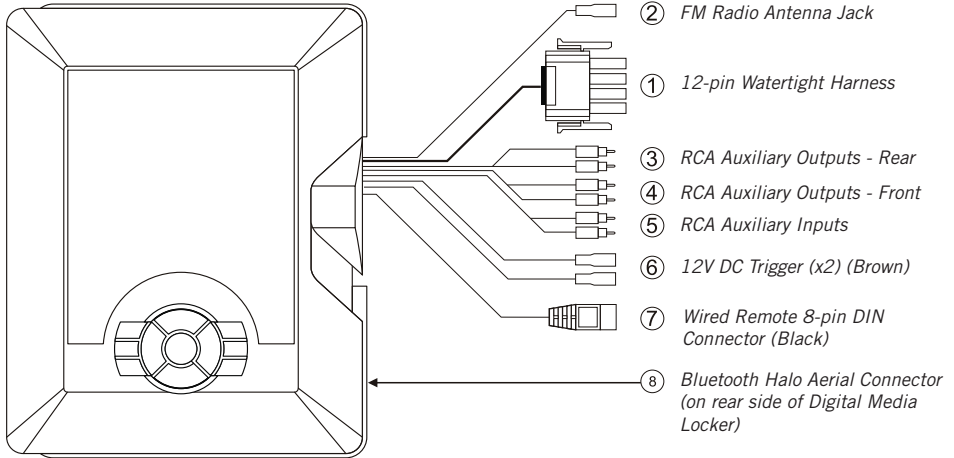
Allows connection of the wired Remote Control (AQ-WR-6F sold separately).

### 8. Bluetooth *Halo Aerial* Connector

Connect the Bluetooth *Halo Aerial Technology* Antenna (AQ-BTANT-1) to the male SMA connector. Do not apply excessive torque on the SMA connector (no more than 0.5N-m). Use hands to tighten the connection (do not use a wrench).

 *Aquatic AV does not recommend the wired Remote Control AQ-WR-6F for use in spa applications.*

## 1.2.1 Connections Diagram



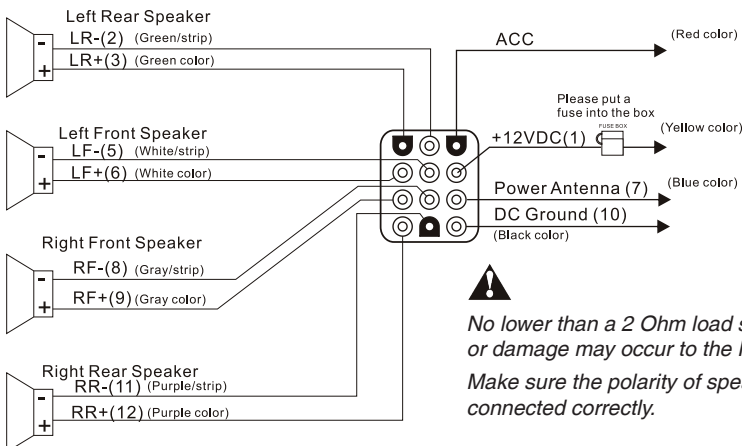
**i** Aquatic AV does not recommend the wired Remote Control AQ-WR-6F for use in spa applications.

## 1.3 12-pin Harness Connection

The AQ-DM-6UBT includes the universal harness AQ-UNH-2 in order to connect the stereo to power and speakers.

All open wire connections should be soldered and protected against water and dust for best long-term performance.

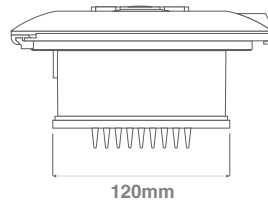
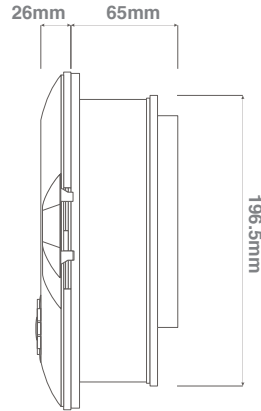
### 1.3.1 12-pin Harness Wiring Diagram



No lower than a 2 Ohm load should be used or damage may occur to the Media Player. Make sure the polarity of speakers are connected correctly.

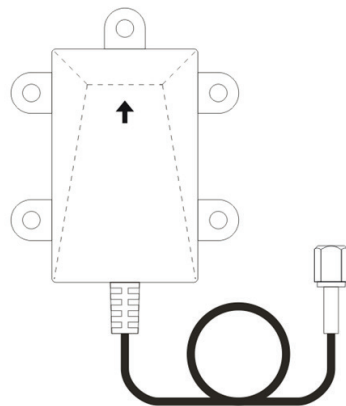
## 1.4. Mounting the Digital Media Locker

1. A mounting template is included. Aquatic AV recommends using the 'measure twice, cut once' method.
2. Once the mounting hole is complete, make sure the outside surface is clean and clear of debris. The Digital Media Locker has an external water/dust proof gasket, but this requires a clean and flat surface for best performance.
3. The Digital Media Locker has six (6) front screws. Drive the screws using a screw driver. During final mounting, apply equal pressure to all points for the best water/dust outer seal performance. make sure screws are snug and do not over tighten.
4. Review all outside surfaces of the Digital Media Locker to ensure proper water/dust seal. This is important for long term environmental protection performance for your digital media device.



## 1.5 Bluetooth Antenna Installation

1. Screw on the provided Bluetooth Antenna, avoiding bending the cable at a 90° angle.
2. Install the Bluetooth antenna as high as possible, above the waterline of the spa if possible, and making sure the arrow is pointing directly upwards towards the sky to ensure the Bluetooth range is maximized. If there is no suitable surface to screw it in, we recommend using a good quality double sided tape.



## 1.6 Power On

Press the ON/OFF button.

Red Light: Power to the docking station is ON, but the unit is in standby mode.

Blue Light: The unit is powered ON and looking for an audio source.

For applications that require low current draw and where battery drain may occur, the power button must be turned OFF inside the unit. When the power button is in the OFF position the red LED will not be lit.

For applications where a 12V battery is not used, such as in a Spa, the power button can be left ON and the remote control or door controls can then be used to power on/off accordingly.

For detailed instructions you can check out our online video:

‘How to wire your Aquatic AV stereo system’

<http://www.aquaticav.com/support/videos>

## 1.7 Handheld Remote Control Charging

The remote has a built-in Polymer Lithium rechargeable battery and comes with a charging cable. Connect one end of the charging cable to the charging connection on remote control and connect the USB end of the charging cable to any USB charger (5V DC) for charging.

Make sure the remote has been charged before used.

## 1.8 Handheld Remote Control Synchronizing

The remote should already be paired from the factory, but if you need to synchronize the remote, follow the steps below.

1. Make sure Digital Media Locker is powered ON (red LED) 2. Put the remote within 0.5 meter of the Digital Media Locker.
2. Press and hold MODE on remote control until the LCD shows “Pairing in Progress”. Release the button.
3. Within 2 seconds, the LCD will show “Paired”. If it fails to pair, the LCD will show “Retry again”. If this happens, wait 5 seconds and repeat steps above.

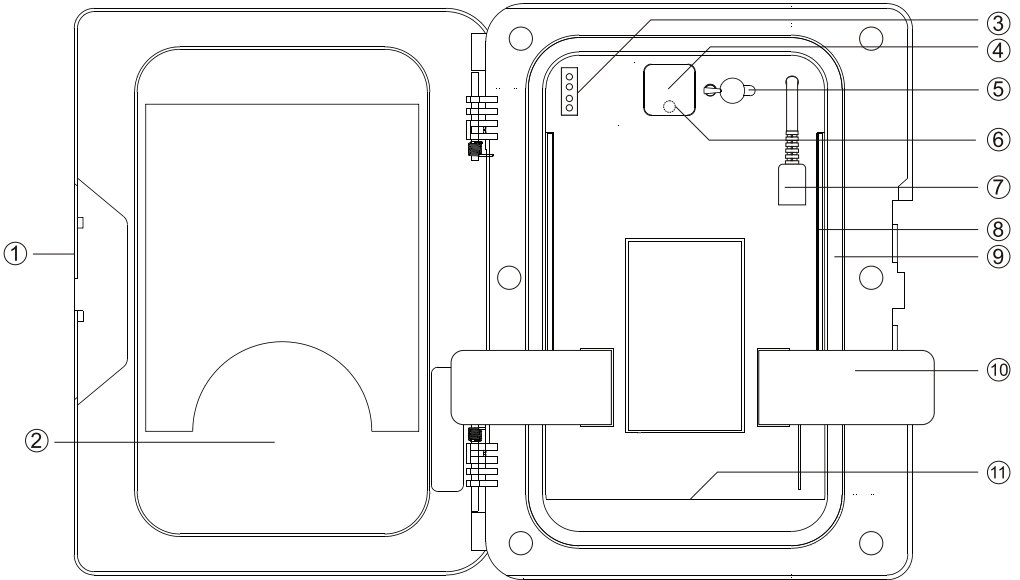
For any additional remote controls, you will also need to synchronize those remote controls to the Digital Media Locker.

**i** *If the pairing process is not successful, try again to put your remote close to the remote receiver.*

**i** *Depending on the frequency of usage, the remote may drain its battery. Please charge the remote before use. If the LCD shows nothing, the battery has been drained and will need charging.*

**i** *If you have lost or damaged your remote control and buy a new remote control, follow the above steps to pair the new remote control.*

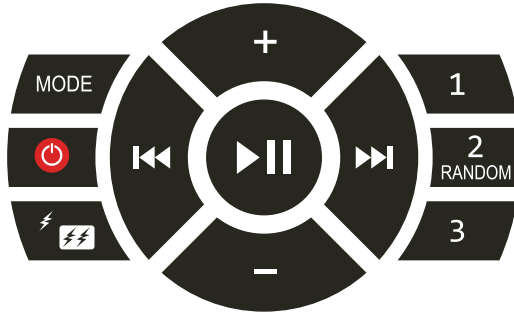
## 2.1 Digital Media Locker Controls



1. Open/Close Latch & Protective Door
2. Door Control Keypad
3. LED Mode Indicator
4. Power On/Standby LED
5. 3.5mm Aux Input for MP3 device
6. Power ON/OFF LED

7. USB Connector
8. Back lighting
9. Water/Dust Protection Gasket
10. Security Strap for digital media devices
11. Charging Compartment for Remote Control

## 2.2 Door Keypad Controls



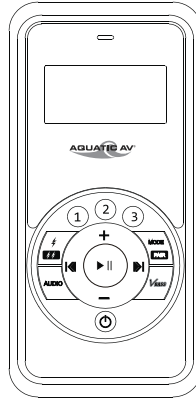
Buttons		AUX IN Mode	Bluetooth Mode	USB Mode	FM Radio
Mode		Press once: Change the source Press and hold: no function			
Power		Press once: Toggle Operational mode to Standby mode or vice versa			
Mode		Press once: External Trigger 1 * Press and hold: External Trigger 2 *			
Volume Up		Press once: Volume up Press and hold: Fast volume up			
Volume Down		Press once: Volume down Press and hold: Fast volume down			
Fast Forward		Press once: no function Press and hold: no function	Press once: Next track Press and hold: Fast Forward		Press once: + 0.05kHz Press and hold: Scan up
Fast Rewind		Press once: no function Press and hold: no function	Press once: Previous track Press and hold: Fast backward		Press once: -0.05kHz Press and hold: Scan down
Play/Pause		Press once: Toggle mute Press and hold: no function		Press once: Play/Pause Press and hold: no function	Press once: Toggle mute Press and hold: no function
1		Press once: no function Press and hold: no function		Press once: Folder up Press and hold: no function	Press once: Preset 1 Press and hold: Save to Preset 1
2 / Random		Press once: no function Press and hold: no function		Press once: no function Press and hold: Random	Press once: Preset 2 Press and hold: Save to Preset 2
3		Press once: Toggle mute Press and hold: no function		Press once: Folder down Press and hold: no function	Press once: Preset 3 Press and hold: Save to Preset 3





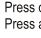
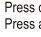
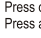






**i** The keypad on the door has a set of keys fewer than those on the remote but has exactly the same functions correspondingly. This keypad allows you to operate the dock without the remote control.

**i** \* On some spa installation, this function will switch between internal speakers and door speakers, if equipped.



## 2.3 Wireless Handheld Remote Control AQ-RF-6UBT-T



Buttons	AUX IN Mode	Bluetooth Mode	USB Mode	FM Radio
Power	 Press once: Toggle Operational mode to Standby mode or vice versa			
Mode/Pair	 Press once: Change the source Press and hold: no function			
Volume Up	 Press once: Volume up Press and hold: Fast volume up			
Volume Down	 Press once: Volume down Press and hold: Fast volume down			
Fast Forward	 Press once: no function Press and hold: no function	Press once: Next track Press and hold: Fast Forward	Press once: + 0.05kHz Press and hold: Scan up	
Fast Rewind	 Press once: no function Press and hold: no function	Press once: Previous track Press and hold: Fast backward	Press once: -0.05kHz Press and hold: Scan down	
Play/Pause	 Press once: Toggle mute Press and hold: no function		Press once: Play/Pause Press and hold: no function	
1	 Press once: no function Press and hold: no function		Press once: Folder up Press and hold: no function	Press once: Preset 1 Press and hold: Save to Preset 1
2	 Press once: no function Press and hold: no function		Press once: no function Press and hold: Random	Press once: Preset 2 Press and hold: Save to Preset 2
3	 Press once: Toggle mute Press and hold: no function		Press once: Folder down Press and hold: no function	Press once: Preset 3 Press and hold: Save to Preset 3
EXT Trigger	 Press once: External Trigger 1 Press and hold: External Trigger 2			
Audio	 Press once: Enter Audio Menu Press and hold: Exit Audio Menu			
VBass	 Press once: Toggle VBass ON or OFF Press and hold: no function			

**i** If your music player is connected via the Auxiliary input, you will not be able to control track or receive track information.

**i** In order to prolong remote battery life, the LCD will shut off in 5 seconds if no button is pressed. To turn remote back on, press any key once and then press the command desired.

**i** DSP (Classic, Pop, and Rock) will be turned OFF when Bass and Treble are set.

**i** When in Bluetooth mode, Repeat and Random playback function must be enabled via your phone media device and not from remote control.

**i** \* On some spa installation, this function will switch between internal speakers and door speakers, if equipped.

## 3.1 Listening via USB

### 3.1.1 Listening via USB

1. Attach your USB thumb drive or devices USB cable to the female USB socket of the Digital Media Locker.
2. Press MODE to select USB mode.
3. Press PLAY to play or pause the music.
4. Press FAST REWIND / FAST FORWARD once play previous / next song file.
5. Press and hold FAST REWIND / FAST FORWARD to fast forward / fast rewind the song file.

 *Always ensure to connect and disconnect your media player with dry hands!*

### 3.1.2 Navi Search

You can navigate folders in the USB thumb drive.

1. Press 1 once to go to the next folder.
2. Press 3 once to go to the previous folder.

### 3.1.3 Random Playing

Press and hold 2 will toggle Random Play in USB mode.

### 3.1.4 Device Charging

When specified USB devices are connected to the USB input the devices battery will charge automatically. The USB socket can deliver 2.1A of current to charge a device battery.

## 3.2 Listening via Bluetooth

### 3.2.1 Pair with Bluetooth Device

1. Switch on your Bluetooth device.
2. Select 'AQUATIC AV' from the list of available devices to pair (no password is needed).

## 3.2.2 Listening via Bluetooth Device

1. Bluetooth mode will be activated once a Bluetooth device is paired in any mode. Use MODE to change to the Bluetooth mode to listen to music.
2. Play the song from device and the sound will play through the Digital Media Locker.
3. Press PLAY/PAUSE to play/pause the song.
4. Press FAST REWIND/FORWARD buttons to play previous/next song file.
4. Press and hold FAST REWIND/FORWARD buttons to fast forward / fast rewind the song file.
5. Previous/next track and volume up/down can be controlled directly from your Bluetooth device or directly from the Digital Media Locker remote control.

## 3.2.3 Bluetooth Multi-link

A second Bluetooth device can pair to the Digital Media Locker even when it has been paired to another Bluetooth device. The second Bluetooth device will be able to play once the first device has stopped playing.

## 3.3 Listening via Auxiliary Input

1. Connect your MP3 device to the 3.5mm inputs
2. Secure the device with the anchor straps in the locker.
3. Secure the Digital Media Locker's protective door.
4. Press Mode on the remote control to select 'AUX IN' mode.

**i** Only one Auxiliary input (RCA) can be used at any one time.

## 3.4 Adjust Volume Level

1. Press VOLUME UP once to increase the volume.
2. Press VOLUME DOWN once to reduce the volume.
3. Press and hold either VOLUME UP or VOLUME DOWN to increase or decrease audio volume continuously.

## 4.1 Enter FM Radio Mode

1. Press MODE to switch to FM radio mode.
2. Press PLAY/PAUSE to mute or unmute the audio.

**i** *If this is the first time you listen to FM radio, the default frequency will be 87.5MHz, as shown on the remote LCD.*

**i** *FM radio is only available when you are in FM Radio mode.*

## 4.2 Scan or Seek FM Radio Channels

1. Press FAST REWIND/FAST FORWARD to seek another station.
2. Press once FAST REWIND/FAST FORWARD to -0.05kHz or +0.05kHz to the frequency.

## 4.3 Saving Radio Channel to Memory

To save the current frequency to memory, press and hold 1, 2 or 3 for more than 2 seconds. The station will be stored into relevant button.

## 4.4 Listening to Saved Radio Memory

Press the 1, 2, or 3 preset button once to listen to the station stored in that button.

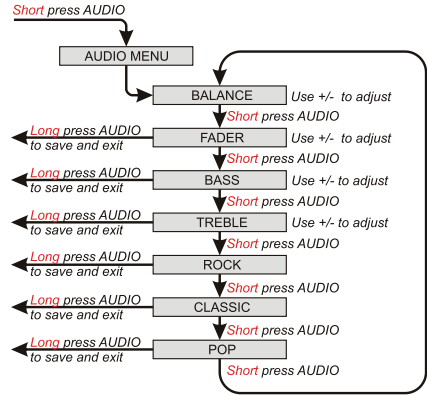
## 4.5 Adjust Volume Level

1. Press VOLUME UP once to increase the volume.
2. Press VOLUME DOWN once to reduce the volume.
3. Press and hold either VOLUME UP or VOLUME DOWN to increase or decrease audio volume continuously.

## 5.1 Audio Menu

The Digital Media Locker is equipped with an audio DSP (Digital Signal Processor) to provide preset listening experiences for different music types.

1. To enter audio menu, press once AUDIO button.
2. Each press of AUDIO button will advance to the next audio setting as described on the right.
3. In the audio menu, press and hold AUDIO to save and exit the audio menu back to the original mode.



If you have chosen preset equalizer (Rock, Classic, or Pop), the previous Bass & Treble settings will be overridden.

## 5.2 Virtual Bass (VBass)

Virtual Bass (VBass) boosts the bass of the audio signal using the latest DSP technology and is particularly useful when used with very small speakers to create perceived bass frequencies of a much larger speaker.

Press VBASS once to toggle it ON or OFF.

## 5.3 External 12V Triggers

Aquatic AV understands the need for more flexible remote applications. With the Digital Media Locker Aquatic AV has provided two independent 12V ‘accessory’ triggers, activated from the remote control or door control keypad. These could activate any 12V based device like 12V lights or 12V motors.

In any operational mode, press the 12V TRIGGER button to activate. Press again to deactivate. If using two external trigger wires you can also activate the second external trigger by pressing and holding the 12V TRIGGER button to activate. Press and hold again to deactivate.

**i** Aquatic AV strongly recommend you speak to our technical service staff or your local Aquatic AV dealer if you are considering using this feature.

**⚠** Load on External Trigger should not exceed 2A.

## 5.4 Internal Dock Light

The Digital Media Locker will by default have orange and brown wires connected. Use the trigger on the remote to toggle the internal illumination light ON/OFF.

## 5.5 Bluetooth *Halo Aerial Technology*

The Bluetooth *Halo Aerial Technology* antenna AQ-BTANT-1 (included) improves the standard Bluetooth wireless signal and range, for a stronger signal and increased range in all directions.

## 5.6 Connecting Multiple Amplifiers or High Current Draw Lighting Systems

### Wiring a Single Pull Single Throw (SPST) Relay

The SPST is necessary to protect the stereo in systems with multiple amplifiers. The AQ-DM-6UBT remote and trigger wire provide 2A max current. While this enough to power a single amplifier, complex systems with multiple amplifiers will require a SPST relay.

**Position 30:** requires 12VDC from the main power source (12V battery, power supply etc). This should be the same power source that is powering your stereo.

**Position 85:** this is where you connect your ground from your power source (12V battery, power supply, etc.) This should be the same ground reference as your stereo.

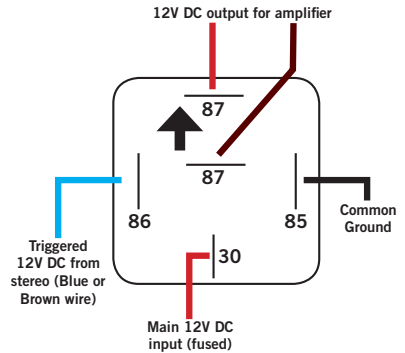
**Position 86:** position 86 is triggered 12V, and is sent when your stereo is powered on.

For Aquatic AV stereos position 86 can be connected to either the blue remote wire in the harness or the brown 12V trigger on the rear of the unit. The differences are below:

**Blue (recommended):** The blue (remote wire) provides a 12VDC output when the stereo is powered on. Meaning as soon as the stereo is powered on the blue wire sends 12VDC through the relay powering on the amplifier.

**Brown:** the brown (12V Trigger) provides 12VDC output when it is triggered via the lightning bolt icon on the faceplate or handheld remote. This setup is more advantageous in a more complex system with several zones, as it gives you control of when an amp is on or off.

**Position 87:** this is the 12VDC output that you will provide 12VDC to the remote turn on to the amplifiers in your system.



## 6.1 Specifications

### Media

- Supported media.....Bluetooth / USB / Apple iOS / Android / MP3 / FM / AUX
- Supported media max dimensions.....107x184mm (WxH)
- Device charging.....via USB
- Device Control..... via Door Keypad, Handheld RF Remote Control (included) or Wired Remote Control (sold separately)
- Remote Charging.....via cable

### Inputs

- Auxiliary..... 1x 3.5mm Jack Socket, 1x stereo pair RCA
- USB.....1x USB

### Outputs

- Pre-Out.....2x stereo pair RCA (4V)
- 12V Trigger.....2x 12V DC Triggers (2A)

### FM Radio

- FM Presets.....3
- US/Euro Frequencies.....Yes

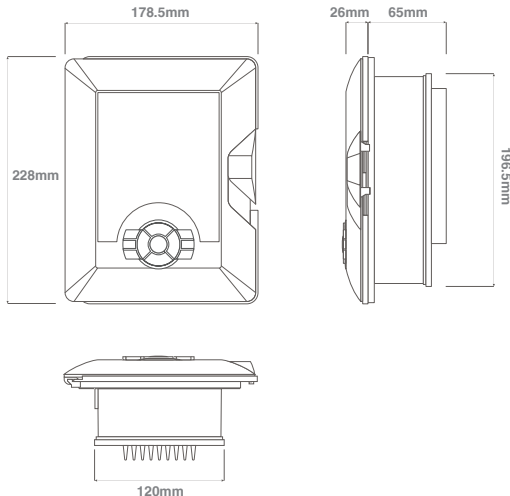
### Power

- Output voltage @ 2 Ohm.....4x 72W
- Output voltage @ 4 Ohm.....4x 45W
- Operation voltage.....9.6V - 14.4V DC
- Max current draw.....7A
- Standby current draw.....6mA

### Multi-Environment Certifications

- Waterproof / Dustproof.....Yes - IP65 (Remote Control rated IP66)
- Conformal PCB coating.....Yes
- UV protection.....500 hours stable, ASTM D4329 compliant
- Salt/Fog protection.....500 hours stable, ASTM B117 compliant
- Stainless Steel mountings.....Yes

## 6.2 Dimensions



Aquatic AV offers a limited warranty of our products on the following terms:

**Length of warranty**

2 years on audio systems, electronics, speakers, and accessories (receipt required).

**Coverage**

This warranty covers only the original purchaser of an Aquatic AV product purchased from an authorized Aquatic AV dealer. In order to receive service, the purchaser must provide Aquatic AV with a copy of the receipt stating the customer name, dealer name, product purchased and date of purchase.

**Defective products**

Products found to be defective during the warranty period will be repaired or replaced (with a product deemed to be equivalent) at Aquatic AV's discretion.

**What is not covered**

Damage caused by accident, abuse, improper operations or theft. Any cost or expense related to the removal or reinstallation of product. Service performed by anyone other than an authorized Aquatic AV service center. Any product with the serial number or tamper labels defaced, altered, or removed. Subsequent damage to other components. Any product not purchased from an authorized Aquatic AV dealer.

**Limit on implied warranties**

Any implied warranties including warranties of fitness for use and merchantability are limited in duration to the period of the express warranty set forth above. Some states do not allow limitations on the length of an implied warranty, so this limitation may not apply. No person is authorized to assume for Aquatic AV any other liability in connection with the sale of the product.

**How to obtain service**

You must obtain a return material authorization number (RMA) to return any product to Aquatic AV. You are responsible for shipping charges of returned products to Aquatic AV.

Please record the model and serial number[s] of your equipment in the space provided below as your permanent record and will assist us with your factory warranty coverage. These numbers can be found on the rear of the Digital Media Locker.

Model number[s]:	Serial number[s]:



FCC ID:  
MADE IN CHINA

This device complies with Part 15 of the FCC Rules. Operation is subject to the following two conditions: (1) this device may not cause harmful interference, and (2) this device must accept any interference received, including interference that may cause undesired operation.

**NOTE:**

The equipment has been tested and found to comply with the limits for a Class B digital device, pursuant to Part 15 of the FCC Rules. These limits are designed to provide reasonable protection against harmful interference in a residential installation. This equipment generates, uses and can radiate radio frequency energy and, if not installed and used in accordance with the instructions, may cause harmful interference to radio communications. However, there is no guarantee that interference will not occur in a particular installation.

If this equipment does cause harmful interference to radio or television reception, which can be determined by turning the equipment off and on, the user is encouraged to try to correct the interference by one or more of the following measures:

- Reorient or relocate the receiving antenna.
- Increase the separation between the equipment and receiver.
- Consult the dealer or an experienced radio/TV technician for help.

The manufacturer is not responsible for any radio or TV interference caused by unauthorized modifications to this equipment. Such modifications could void the user authority to operate the equipment.

iPhone and iPod are trademarks of Apple Inc., registered in the U.S. and other countries.

Made for iPod and Made for iPhone mean that an electronic accessory has been designed to connect specifically to iPod or iPhone respectively, and has been certified by the developer to meet Apple performance standards. Apple is not responsible for the operation of this device or its compliance with safety and regulatory standards. Please note that the use of this accessory with iPod or iPhone may affect wireless performance.

Product design and specification subject to change without notice. E&OE.

Doc V2.1



## **Aquatic AV**

282 Kinney Drive  
San Jose, CA 95112, USA

**E-mail:** [info@aquaticav.com](mailto:info@aquaticav.com)

**US & Canada:** 1 877 579 2782

**International:** +1 408 559 1668

**Fax:** +1 408 559 0125

**[www.aquaticav.com](http://www.aquaticav.com)**

**AQUATIC AV<sup>®</sup>**  
products with a watertight reputation