



Unwired.

Ahead of the Curve



MBT: Water-Resistant Bluetooth® Solutions

Engineered for marine and powersports applications, JL Audio's MBT Bluetooth® products are in their element on the seas or on back trails. Both models are water-resistant, with a full IPX6 rating.

Armed with Bluetooth® v4.0 and the aptX® codec for outstanding audio fidelity, each can receive audio wirelessly from your compatible streaming device, up to 35 ft. (11 m) away. A stereo pair of 2 volt RCA outputs connects to any amplifier or source unit with line-level/auxiliary inputs.

The super-tiny MBT-RX Bluetooth® Audio Receiver can be hidden in almost any installation location, allowing you to conveniently control your tunes from your device

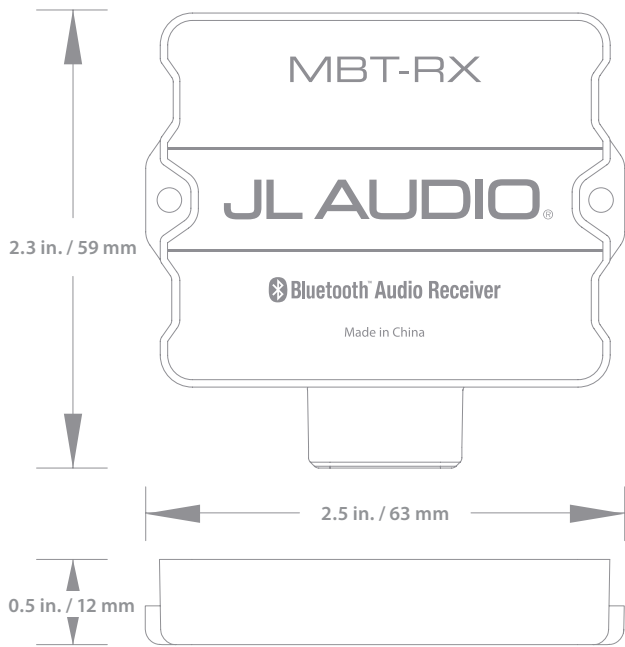
in-hand. It is an ideal solution for many types of vessels and vehicles, including golf carts and classic automobiles.

The MBT-CRX Bluetooth® Controller/Receiver adds the convenience of backlit, push-button audio controls, so that your streaming device can remain safely tucked away. A small footprint and a clever, one-hole design makes installation a simple affair, requiring only a single hole for panel mounting. A square, front-mount adaptor plate is also included.

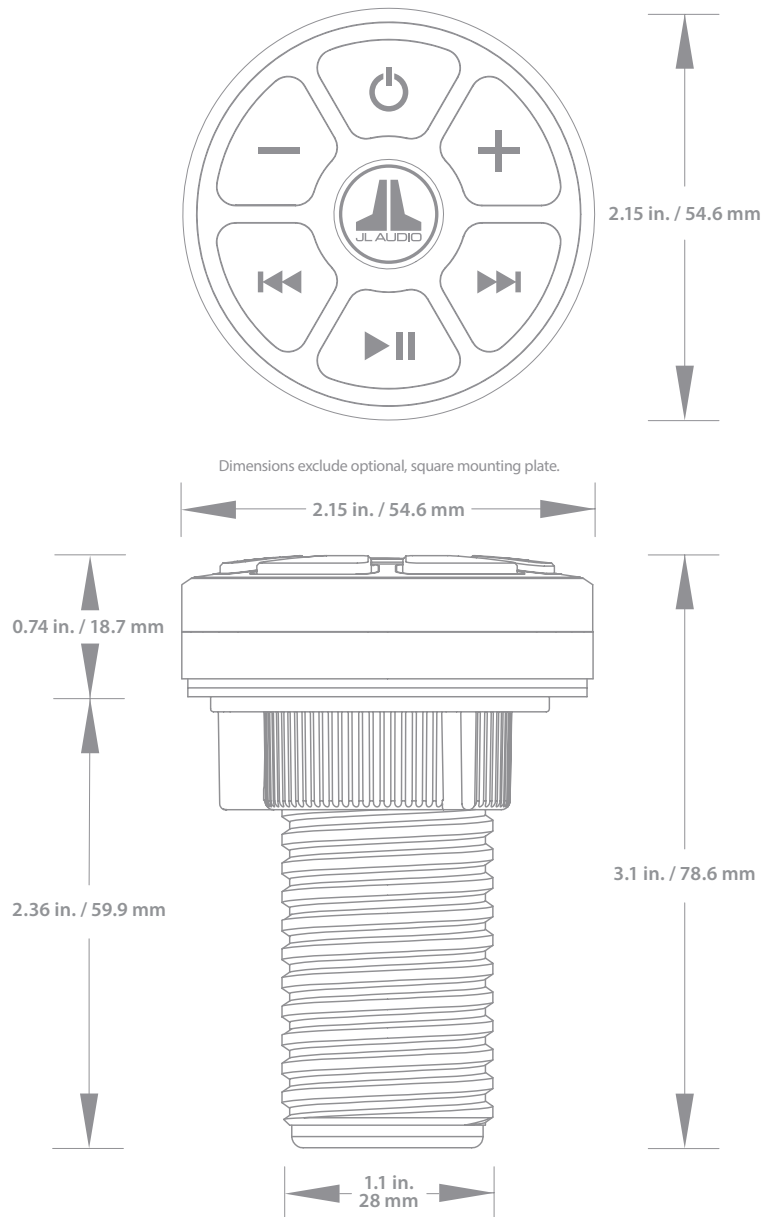
With JL Audio's MBT Bluetooth® products, taking your playlist with you has never been easier, or sounded better.

Model	Description	Bluetooth® Profile	Bluetooth® Core Specification	Frequency Response	Outputs	Connection Range
MBT Water-Resistant Bluetooth® Solutions						
MBT-RX	Marine Bluetooth® Receiver	A2DP (High-Quality, Stereo Audio)	Version 4.0 with aptX®	20 Hz - 18 kHz (±1dB)	One Stereo Pair, Low-Level RCA Plugs with 2 VRMS output	Up to 35 ft / 11 m
MBT-CRX	Marine Bluetooth® Controller & Receiver	A2DP (High-Quality, Stereo Audio)	Version 4.0 with aptX®	20 Hz - 18 kHz (±1dB)	One Stereo Pair, Low-Level RCA Plugs with 2 VRMS output	Up to 35 ft / 11 m

MBT-RX



MBT-CRX



* The Bluetooth® word mark and logos are registered trademarks owned by Bluetooth SIG, Inc. and any use of such marks by JL Audio is under license. The aptX® word mark and logos are registered trademarks owned by CSR and any use of such marks by JL Audio is under license.



©2015 JL Audio, Inc. • "JL Audio", "Ahead of the Curve" and the JL Audio logo are registered trademarks of JL Audio, Inc. Due to our policy of continuous product development, all specifications are subject to change without notice.

www.jlaudio.com
10369 North Commerce Parkway • Miramar, Florida • 33025 • USA

SKU#97281 08-2015
Printed in U.S.A.