

AQ-SPK6.5-4EB/EW ECONOMY 6.5" WATERPROOF SPEAKER



AQ-SPK6.5-4EW

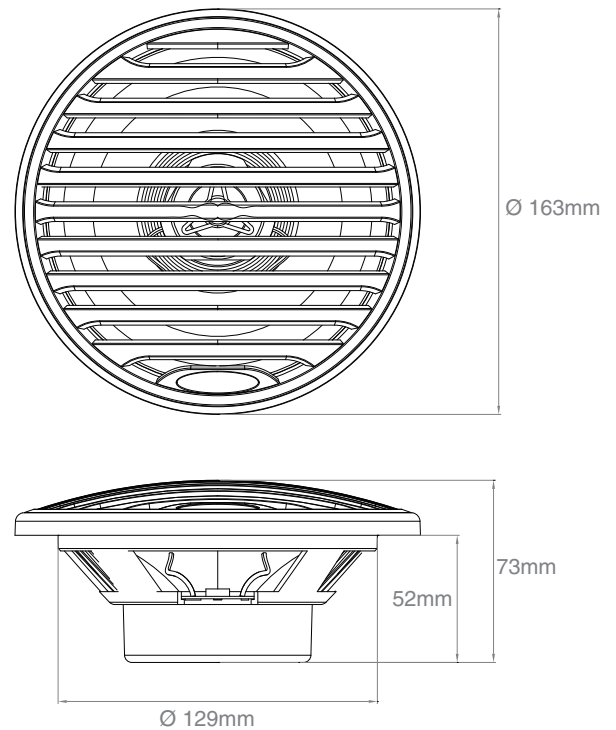


AQ-SPK6.5-4EB

SPECIFICATIONS

Type:	Full-range, co-axial waterproof speaker
Cone Size:	6.5"
Tweeter Size:	13mm
Outside Grill Diameter:	163mm
Mounting Hole Diameter:	129mm
Mounting Depth:	52mm
Impedance:	4 Ohm
Frequency Response:	83Hz - 20,000 Hz
Power (max):	80W
Power (RMS):	40W
Waterproof:	Yes
Grill Material:	UV Plastic, 200hrs stable
Basket Material:	UV Plastic, 200hrs stable
Cone Material:	Polypropylene
Tweeter Material:	Mylar Dome/Neodymium Magnet
Rubber Surround Material:	Non-corrosive rubber
Magnet Material:	Ferrite
Magnet Protection:	Plastic water guard
Weight (single speaker)	470g
Certification:	RoHS
Additional Features:	Stainless Steel mounting hardware Removable grills

DIMENSIONS



Aquatic AV

282 Kinney Drive
San Jose, CA 95112, USA

E-mail: info@aquaticav.com

US & Canada: 1 877 579 2782

International: +1 408 559 1668

Fax: +1 408 559 0125

www.aquaticav.com

Design and specification subject to change without notice.E&OE