



MGH37BT

INSTALLATION/OWNER'S MANUAL

AM/FM Gauge Hole Receiver





Mounting

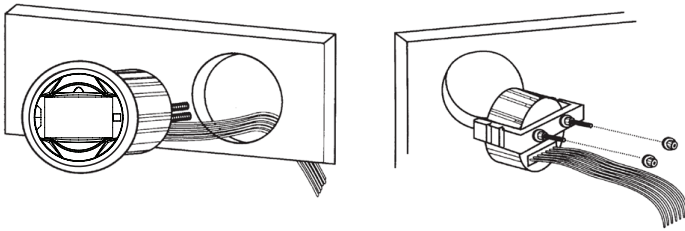
Please read entire manual before installation.

Before You Start

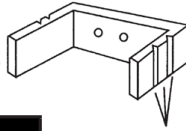
- Disconnect negative battery terminal. Consult a qualified technician for instructions.
- Avoid installing the unit where it would be subject to high temperatures, such as from direct sunlight, or where it would be subject to dust, dirt or excessive vibration.

Getting Started

- Once a suitable location has been determined, drill the hole and secure the stereo using the metal mounting bracket. If the bracket needs to be shortened, remove the appropriate number of breakaway segments using a pair of pliers.



Mounting Bracket



Break Lines

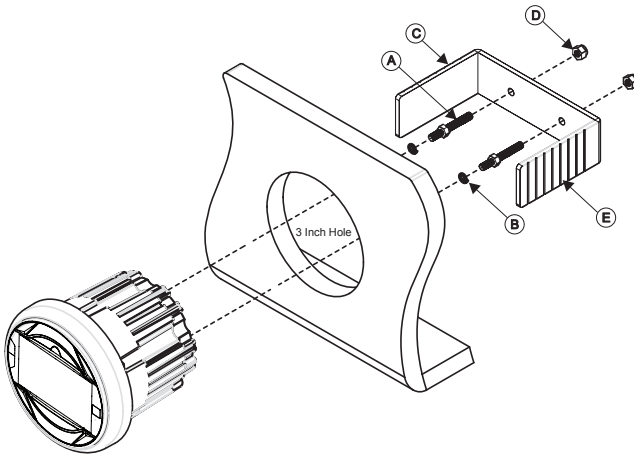
Color	Connection
Red	12V Ignition / Accessory
Black	Ground
Blue	Remote Turn-on B (+)
Grey	Right Front (+)
Grey/Black	Right Front (-)
White	Left Front (+)
White/Black	Left Front (-)
Violet	Right Rear (+)
Violet/Black	Right Rear (-)
Green	Left Rear (+)
Green/Black	Left Rear (-)
Yellow	Camera Input (RCA)

<p>USB INPUT</p> <p>BLACK USB CONNECTOR</p>	<p>REMOTE INTERFACE</p> <p>BLACK REMOTE CONTROL INTERFACE INPUT</p>
--	--

Tip:
When a suitable ground wire is not present in the vehicle wiring harness, connect the black ground wire to the vehicle chassis.

Fuse:
When replacing the fuse, make sure new fuse is the correct type and amperage. Using an incorrect fuse could damage the radio.

Installation



Mounting the Radio

1. Choose a mounting location on the dash board or instrument panel that will allow room behind to run radio cables to the power source. Consider how you will use the AUX IN, LINE OUT and USB connectors and route the appropriate extension cables to an accessible area.
2. Cut a hole in the dash board using the template provided in the back of this manual. At least 3 3/4" depth is needed to mount the radio.

IMPORTANT! Do not mount this unit where it can be submerged in water.

3. Slide the included spring washers (B) over the screw posts (A) and attach the screw posts to the back of the radio.
4. Place the radio in front of the dashboard opening so the wiring can be brought through the opening.
5. After completing the wiring connections, turn the radio on to confirm operation (vehicle accessory switch must be on). If the radio does not operate, recheck all wiring until the problem is corrected. Once proper operation is achieved, turn the accessory switch off and proceed with final mounting of the radio. Refer to the "Wiring Diagram" on page 5.

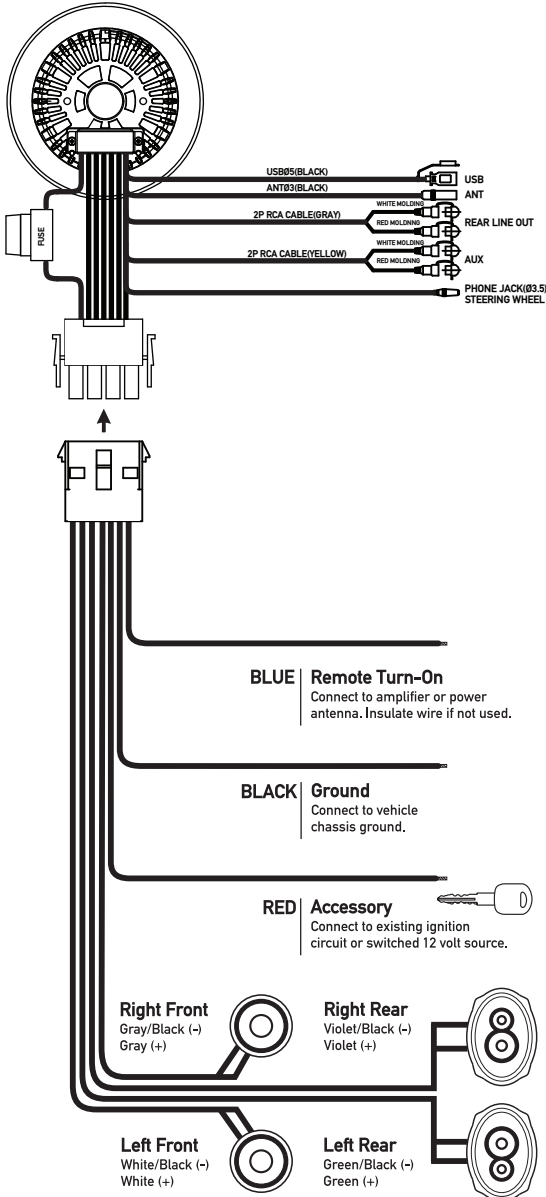
NOTE: Before final installation, test the wiring connections to make sure the unit is connected properly and the system works.

6. Insert the radio into the mounting hole.
7. Place the "U" bracket (C) over the screw posts and secure the radio to the dash using the included hex nuts (D). If necessary, cut the score marks (E) on either side of the mounting bracket to custom fit the bracket length for your application. See Figure A.

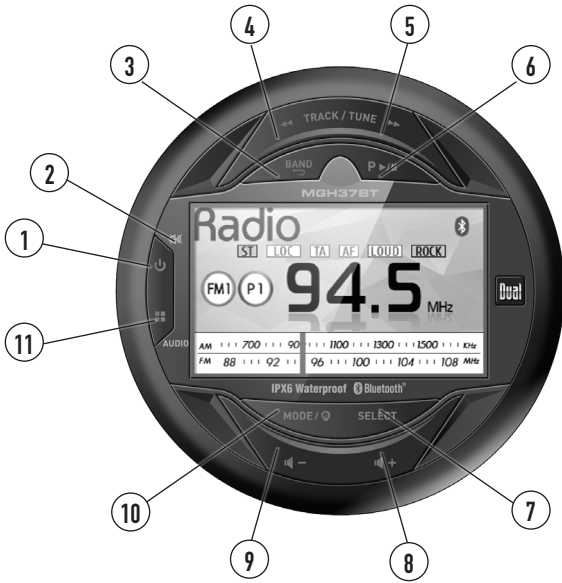


MGH37BT OPERATION

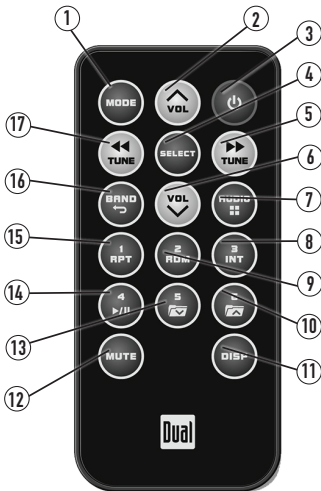
Wiring



Control Locations



- 1 Power
- 2 Mute
- 3 Band / Go Back
- 4 Tune Down
- 5 Tune Up
- 6 Play / Pause / Presets
- 7 Select / Thumbs Up
- 8 Volume Up
- 9 Volume Down
- 10 Mode / Clock
- 11 Audio / Menu



- 1 Mode
- 2 Volume Up
- 3 Power
- 4 Select
- 5 Tune / Track Up
- 6 Volume Down
- 7 Audio / Menu
- 8 Preset 3 / Intro
- 9 Preset 2 / Random
- 10 Preset 6 / Folder Up
- 11 Display
- 12 Mute
- 13 Preset 5 / Folder Down
- 14 Preset 4 / Play / Pause
- 15 Preset 1 / Repeat
- 16 Band / Go Back
- 17 Tune / Track Down



iPlug™ Operation

iPlug™ Operation

The iPlug™ Smart App is the ultimate wireless remote control for your MGH37BT receiver. You can store your IR remote control and enjoy the convenience of all the primary functions of your MGH37BT receiver right from your phone or tablet by transforming your mobile device into a functional stereo remote control.

Note: The app is available both Apple and Android devices and can be downloaded from iTunes and Google Play Store.

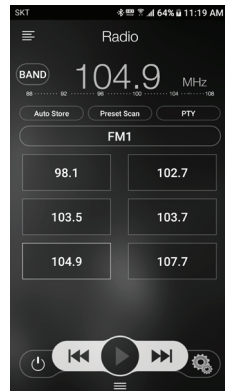
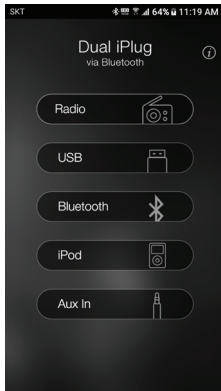
iPlug™ Features

This app controls all of the primary functions of your stereo features including:

- Power on/off
- Volume and mute
- CD/DVD player
- AM/FM radio tuner: access station, recall, change radio stations and store presets
- Bluetooth® streaming audio
- File structure visibility, track selection, track audible scan up and down via USB
- iPod/iPhone/iPad® control capabilities via USB
- Auxiliary audio input control
- Audio menu controls-bass, treble, balance, fader, equalizer and volume settings

Connecting and Using the iPlug™ App

After downloading and installing the iPlug app, pair your device to the MGH37BT as stated for Bluetooth pairing. When the iPlug app is installed on an Android device, close the app before Bluetooth pairing; otherwise there may be errors with the Bluetooth connection.





General Operation

Power On/Off	Press ⏻ to turn unit on. Press and hold ⏻ to turn unit off.
Mode	Press MODE to select between Tuner, Aux, USB, iPod and Bluetooth modes. Modes of operation are shown in the display.
Auxiliary Input	The MGH37BT offers rear RCA auxiliary input ports for connecting external devices. Press MODE to select auxiliary input mode.
Volume	Adjust volume using the volume up/down keys .
Display	Press DISP to toggle between various displayed information.
Reset	If abnormal operation occurs, press MENU and TUNE ◀◀ for three seconds to reset the unit to the default factory settings.
Setup Menu	Press MENU to toggle through and select one of the following setup menus: Audio, General, Gain and Screen. <ol style="list-style-type: none"> Once the desired menu is displayed, use the volume up/down buttons to scroll through the list of menu features. Press SELECT to select a specific feature to adjust, then use the volume up/down buttons to adjust or activate the desired feature. Press SELECT to confirm and save the changes.

Menu Function	Options
Equalization Curves	Use the Volume up/down buttons to cycle through the following equalization curves: Flat, Pop, Jazz, Classic, Beat, Rock and User. Any manual adjustment to the Bass or Treble settings are automatically saved as User.
Loudness	Use the Volume up/down buttons to activate or deactivate the Loudness feature, which increases bass and treble levels at low volume.
Bass Level	Use the Volume up/down buttons to adjust the bass level setting (-6 minimum / +6 maximum).
Bass Frequency	Use the Volume up/down buttons to select one of the following bass frequency settings: 60 Hz, 80 Hz, 100 Hz or 200 Hz.
Middle Level	Use the Volume up/down buttons to adjust the middle level setting (-6 minimum / +6 maximum).
Middle Frequency	Use the Volume up/down buttons to select one of the following middle frequency settings: 500 Hz, 1 kHz, 1.5 kHz or 2.5 kHz.
Treble Level	Use the Volume up/down buttons to adjust the treble level setting (-6 minimum / +6 maximum).
Treble Frequency	Use the Volume up/down buttons to select one of the following treble frequency settings: 10 KHz, 12.5 KHz, 15 KHz or 17.5 KHz.
Balance	Use the Volume up/down buttons to adjust the balance setting. (12-L to 12-R; 0 represents equal balance).
Fader	Use the Volume up/down buttons to adjust the fader setting. (12-F to 12-R; 0 represents equal balance)



General Operation

General Setup Menu

Menu Function	Options	Action
Tuner Frequency Spacing	USA	Programs the unit to USA tuner spacing. (200kHz for FM and 10kHz for AM).
	S-America	Programs the unit to South American tuner spacing. (100kHz for FM and 10kHz for AM).
	Europe	Programs the unit to European tuner spacing. (50kHz for FM and 9kHz for AM).
Auto Station Store	AUTO STORE	Press SELECT to seek and save 6 strong stations in the current band.
Local/Distance Tuning	Off	Activates distance tuning.
	On	Activates local tuning for strong station reception only.
Scrolling Option	Off	Programs the unit to not scroll any information on the display.
	Once	Programs the unit to only scroll information once.
	15Sec	Programs unit to scroll information once every 15 seconds (default).
	On	Programs unit to scroll information continuously.
iPod Control	Full	Programs the head unit to advanced control of the iPod/iPhone device.
	Manual	Programs the head unit to manual control of the iPod/iPhone device and allows music to be controlled from the iPod/iPhone device.
Beep Confirmation	Off	Disables the confirmation beep.
	On	Enables the confirmation beep.
Programmable Turn On Volume	Variable Value	Programs unit to always turn on at a specific volume (default is Off). A volume level of 1-30 can be selected.

General Operation

Gain Setup Menu

Menu Function	Options
Tuner Gain	Use the Volume up/down buttons to adjust the tuner gain. (-6 minimum / +6 maximum)
Aux Gain	Use the Volume up/down buttons to adjust the gain for the front auxiliary input. (-6 minimum / +6 maximum)
Bluetooth Gain	Use the Volume up/down buttons to adjust the gain for the Bluetooth A2DP Playback. (-6 minimum / +6 maximum)
USB Gain	Use the Volume up/down buttons to adjust the gain for USB playback. (-6 minimum / +6 maximum)
iPod Gain	Use the Volume up/down buttons to adjust the gain for iPod playback. (-6 minimum / +6 maximum)

Screen Setup Menu

Menu Function	Options
Color	Use the Volume up/down buttons to adjust the color settings of the display screen from 0 to 50.
Contrast	Use the Volume up/down buttons to adjust the contrast settings of the display screen from 0 to 50.
Brightness	Use the Volume up/down buttons to adjust the brightness settings of the display screen from 0 to 50.
Demo	Use the Volume up/down buttons to to enable (ON) or disable (OFF) the demonstration mode.



AM/FM Tuner Operation

Manual Tuning	Press TUNE ◀◀ or TUNE ▶▶ momentarily to change radio frequency up or down one step at a time. Press and hold to advance quickly.
Seek Tuning	Press TUNE ◀◀ or TUNE ▶▶ for more than one second (then release) to automatically seek and tune to the next strong station.
Band	Press BAND to select between FM1, FM2, FM3, AM1 and AM2 bands. Up to six preset stations can be programmed for each band, enabling up to 18 FM stations and 12 AM stations to be stored in memory.
Storing Preset Stations	To manually store a station, select the desired band and station. Press and hold P for more than two seconds, then press the volume up/down buttons to step through preset numbers one through six. When the desired preset number is reached, press SELECT to save the selection.
Automatically Store Preset Stations	Press MENU twice, then press Volume Up to select Auto Station Store . Press SELECT to confirm. The unit will automatically scan and store the six strongest stations in the current band as presets.
Recalling Preset Stations	Once stations have been saved, press P to step through each preset station in the current band.

USB Operation

Playing MP3 Files

To play MP3 files, insert a USB device containing MP3 files. "Loading" will flash in the display. Depending on the number of files and folders, this may take several seconds.

Displaying Information

Press **DISP** to cycle between track information and file/folder information.

*Song title, artist name and album name will only be displayed if included with the MP3 file.

When referring to MP3 playback, the following terms are synonymous:

- File name and track name
- Folder name and directory name

Repeat

Press **BAND** to enter the Repeat menu, then press the **volume up/down** buttons **until Repeat is highlighted**. Press **SELECT**, then **press the volume up/down buttons** to select one of the following repeat options.

- Current Song - Continuously repeats selected file.
- Current Folder - Continuously repeats all files in folder.

Random

Press **BAND** to enter the Random menu, then press the **volume up/down** buttons **until Random is highlighted**. Press **SELECT**, then **press the volume up/down buttons** to select one of the following options for random playback.

- Off - Cancels the Random function.
- All Songs - Plays all files in random order.
- Folder - Plays all files in folder in random order.

Intro

Press **BAND** to enter the Intro menu, then press the **volume up/down** buttons **until Intro is highlighted**. Press **SELECT**, then **press the volume up/down buttons** to select one of the following options for intro playback.

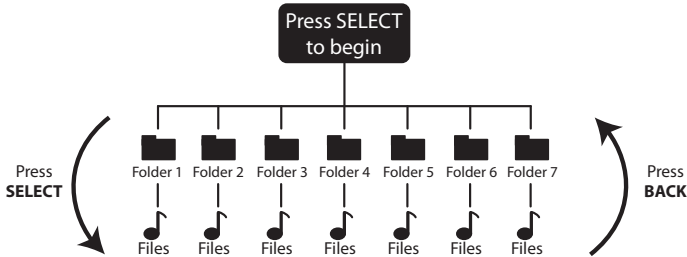
- Off - Cancels the Intro function.
- All Songs - Plays first 10 seconds of each song.
- Current Folder - Plays first 10 seconds of each song in folder.

Note: Folder repeat, random and intro options only function on devices recorded with more than one folder.

USB Operation

File/Folder Search

- Begin Searching** Press **SELECT** to enter the file/folder search mode. A list of all the folders from the disc or device will be displayed.
- Note:** Any files located in the root directory will be located in the folder named "ROOT".
- Choose a Song** Use the **volume up/down** buttons to cycle through all the folders on the disc or device, and press **SELECT** to choose the desired folder. The list of files in the selected folder will be displayed. Use the **volume up/down** buttons to cycle through the list of files.
- Menu Navigation** Pressing **GO BACK** when viewing the contents of a folder will return to the list of folders on the disc or device. Press **GO BACK** again to exit the search menu.
- Playing a Song** Once the desired song is displayed, press **SELECT** to begin playback of the desired song.



MP3 Operation

File/Folder Compatibility and Support - USB

Type	Specification
Compatible File Types	<ul style="list-style-type: none"> • MP3 data (.mp3)
Incompatible File Types	<ul style="list-style-type: none"> • WMA data (.wma) • DRM protected files • WMA lossless • Apple lossless • WMA Pro • MP3 Pro • MP3 playlists • M4A/AAC data • WAV lossless
Sampling Frequency Rate Compatibility	<ul style="list-style-type: none"> • MP3: 8kHz - 48kHz
Transfer Bit Rate Compatibility	<ul style="list-style-type: none"> • MP3: 32kbps - 320kbps
Character Support	<ul style="list-style-type: none"> • Song Title: 32 characters • Artist Name: 32 characters • Album Name: 32 characters • File Name: 32 characters • Folder Name: 32 characters
ID3 Tag Support	<ul style="list-style-type: none"> • MP3 Tags: Version 1.0 - 2.4
File/Folder Limit	<ul style="list-style-type: none"> • Maximum number of files: 50000 • Maximum number of folders: 500 (plus the root folder) • Maximum number of files in each folder: 50000 <p>Note: For devices with more than the maximum number of files/folders, some files will be ignored and may not function properly.</p>
USB File System	<ul style="list-style-type: none"> • FAT/FAT32 file system supported. • HFS/NTFS/EXT2/EXT3 not supported.



iPod Operation

Connect an iPod Device
(Not Included)



The MGH37BT features a direct USB control system for iPod. To play music from an iPod device, connect the USB cable (included with your iPod device) to the USB port on the front panel.

Once connected, "Loading" will flash in the display, then playback will begin automatically. If a song is playing on the iPod device before it is connected, it will continue to play.

Search Mode

Search Menu Functions
(step 1)

Press **SELECT** once to enter the search mode.

(step 2)

Use the **volume up/down** buttons to choose between **playlist, songs, artists, albums** and **podcasts**. Press **SELECT** to select the desired search type.

(step 3)

Navigate to the desired song and press **SELECT** to begin playback of that song. Use the table below for reference when navigating through the menu options.

Note: Press **GO BACK** to access the previous level (up one level). Pressing **GO BACK** from the search main menu will exit the search.

See the below table for a list of the search menu navigation options.

Search Item	Menu Navigation
Playlist	Menu → Playlists → Songs
Songs	Menu → Songs
Artists	Menu → Artists → Albums → Songs
Albums	Menu → Albums → Songs
Podcase	Menu → Podcasts

Full/Manual Control

The MGH37BT features both full and manual control modes for iPod/iPhone devices. See page 8 for details to toggle the control between full and manual modes.

Important: To support manual control for iPod/iPhone, the iPod device must be updated to the newest firmware.

Note: Not all iPod/iPhone devices are compatible with manual control mode.

iPod Operation

Song Select	Press ►► to skip to the beginning of next song. Press ◀◀ to return to the beginning of current song. Pressing ◀◀ again skips to the beginning of previous song.
Fast Forward/Reverse	Press and hold ►► or ◀◀ to fast forward or reverse.
Pause	Press ►/ to temporarily stop playback. Press ►/ again to resume playback.
Repeat	Press BAND to enter the Repeat menu, then press the volume up/down buttons to select one of the following options: <ul style="list-style-type: none"> • Off - Repeats all tracks. • Current Song - Repeats selected track.
Random	Press BAND to enter the Random menu, then press the volume up/down buttons to select one of the following options: <ul style="list-style-type: none"> • Off - Cancels the RDM function. • All Songs - Plays all tracks in random order. • Current Album - Plays all tracks in the selected album in random order.
Intro	Press BAND to enter the Intro menu, then press the volume up/down buttons to select one of the following options: <ul style="list-style-type: none"> • Off - Cancels the INT function. • On - Plays first 10 seconds of each track.
Character Support	<p>Only alphanumeric characters can be displayed (ASCII type). "NO SUPPORT" will be displayed if the file contains characters that can not be displayed. "NO FILE" will be displayed if there are no songs in the selected playlist.</p> <p>Maximum character display information</p> <ul style="list-style-type: none"> • *Song title – 32 character maximum • *Artist name – 32 character maximum • *Album name – 32 character maximum <p>*Song Title, Artist Name and Album name will only be displayed if included with the file.</p>



Bluetooth Operation

Pairing a Device

Preparation Before you can use a Bluetooth device, it must be paired and connected. Make sure that Bluetooth is activated on your device before you begin the pairing process.

Pairing a New Device The MGH37BT broadcasts the pairing signal constantly when no devices are currently connected. Complete the pairing sequence from your Bluetooth device. Refer to the owner's manual for your device for more details.

The device name is "MGH37BT".

Note: The MGH37BT can be in any mode of operation when pairing is performed.

Pairing Additional Devices If a device is currently connected, press and hold **BAND** to disconnect the current device before a new device can be paired. Then begin the pairing sequence from the new Bluetooth device.

Connecting a Paired Device

Most Bluetooth devices support the auto-connect feature, and will connect automatically if the device is in range when the MGH37BT is powered-on. If your device was previously paired but does not connect, use these instructions below.

- If your most recently connected Bluetooth device becomes disconnected or does not reconnect, press **BAND** from Bluetooth mode to reconnect your mobile device.
- To connect a previously paired device that was not recently connected:
 - 1) If applicable, press and hold **BAND** to disconnect any connected mobile devices.
 - 2) From Bluetooth mode, press **SELECT**. "Paired Devices" will appear on the LCD.
 - 3) Press the volume up/down buttons to cycle through the list of devices.
 - 4) Press **SELECT** or **BAND** to connect to the desired device. It must be in range to connect.

Note: If the Auto Connect setup menu setting is set to OFF, you must press **BAND** to connect you device after pairing, and each time the MGH37BT is powered-on.

Disconnecting a Device

Press and hold **BAND** for 3 seconds to disconnect a connected device. The device will remain paired and appear in the PAIRED DEVICES menu but will not be connected.

Bluetooth Operation

Disconnecting a Device

Press and hold **BAND** for 3 seconds to disconnect a connected device. The device will remain paired and appear in the **SEARCH** menu, but not be connected.

Streaming Audio

The head unit supports A2DP wireless streaming audio from a Bluetooth mobile device directly to your head unit. The following functions can be used to control the music:

- Press ►► to skip to the next available audio track.
- Press ◀◀ to skip to the previous audio track.
- Press ►/|| to toggle between play and pause during playback.



Bluetooth Operation

Streaming Audio Operation

The MGH37BT supports A2DP (advanced audio distribution profile) wireless streaming audio from your Bluetooth mobile device directly to your head unit. You can also control your music from the front panel of the head unit using AVRCP (audio video remote control profile).

- To stream music to your head unit, your mobile device must support the A2DP and AVRCP Bluetooth profiles. Check the owner's manual of your mobile device for details.
- Streaming audio must be enabled from your mobile device. This option will vary depending on the device. Some devices allow streaming audio to be disabled.

After pairing, connecting and enabling streaming audio from a compatible mobile device, begin playing music using the music player on your mobile device. Once the music is playing, the following functions can be used to control the music:

- The ►► button will skip to the next available audio track.
- The ◀◀ button will skip to the previous audio track.
- The ►/|| button will toggle between play and pause during playback.

Note: Some Bluetooth devices may not fully support these commands.

Bluetooth Reset

Resetting the Bluetooth module will remove the list of paired phones and delete the list of recent calls from memory.

To reset Bluetooth, perform the following steps:

- 1) Press **MODE** until the head unit is in Bluetooth mode.
- 2) Press and hold **MENU** for 3 seconds to reset Bluetooth settings back to factory default.

Compatibility Note:

Due to the differences in Bluetooth technology, some mobile devices may be incompatible, function improperly or may not support all features when used with the MGH37BT.

Bluetooth Setup Menu Options

Function	Options	Action
Bluetooth	BL'TOOTH (ON/OFF)	Enables/disables Bluetooth functionality.
Auto Connect	AUTO CON (ON/OFF)	Set to On to allow a Bluetooth device to connect automatically or Off to require manual connection.



Limited One-Year Warranty

This warranty gives you specific legal rights. You may also have other rights which vary from state to state.

Dual Electronics Corp. warrants this product to the original purchaser to be free from defects in material and workmanship for a period of one year from the date of the original purchase.

Dual Electronics Corp. agrees, at our option, during the warranty period, to repair any defect in material or workmanship or to furnish an equal new, renewed or comparable product (whichever is deemed necessary) in exchange without charges, subject to verification of the defect or malfunction and proof of the date of purchase. Subsequent replacement products are warranted for the balance of the original warranty period.

Who is covered? This warranty is extended to the original retail purchaser for products purchased from an authorized Dual dealer and used in the U.S.A.

What is covered? This warranty covers all defects in material and workmanship in this product. The following are not covered: software, installation/removal costs, damage resulting from accident, misuse, abuse, neglect, product modification, improper installation, incorrect line voltage, unauthorized repair or failure to follow instructions supplied with the product, or damage occurring during return shipment of the product. Specific license conditions and copyright notices for the software can be found via www.dualav.com.

What to do?

1. Before you call for service, check the troubleshooting guide in your owner's manual. A slight adjustment of any custom controls may save you a service call.
2. If you require service during the warranty period, you must carefully pack the product (preferably in the original package) and ship it by prepaid transportation with a copy of the original receipt from the retailer to an authorized service center.
3. Please describe your problem in writing and include your name, a return UPS shipping address (P.O. Box not acceptable), and a daytime phone number with your shipment.
4. For more information and for the location of the nearest authorized service center please contact us by one of the following methods:
 - Call us toll-free at 1-866-382-5476
 - E-mail us at cs@dualav.com

Exclusion of Certain Damages: This warranty is exclusive and in lieu of any and all other warranties, expressed or implied, including without limitation the implied warranties of merchantability and fitness for a particular purpose and any obligation, liability, right, claim or remedy in contract or tort, whether or not arising from the company's negligence, actual or imputed. No person or representative is authorized to assume for the company any other liability in connection with the sale of this product. In no event shall the company be liable for indirect, incidental or consequential damages.



Troubleshooting

Problem	Cause	Action
Unit will not turn on (no power)	Yellow wire not connected or incorrect voltage Red wire not connected or incorrect voltage	Check connections for proper voltage (11-16VDC)
	Black wire not connected	Check connection to ground
	Fuse blown	Replace fuse
Unit has power (but no sound)	Speaker wires not connected	Check connections at speakers
	One or more speaker wires touching each other or touching chassis ground	Insulate all bare speaker wires from each other and chassis ground
Unit blows fuses	Yellow or red wire touching chassis ground	Check for pinched wire
	Speaker wires touching chassis ground	Check for pinched wire
	Incorrect fuse rating	Use fuse with correct rating
NO FILE appears on display	No playable MP3 files found on the device	Check the device for valid MP3 files
	Communication error	Remove and reconnect the device
NO SUPPORT appears on display	An invalid ID3 tag version is present	Version 1.0 to 2.4 ID3 tags are supported.

Specifications

FM Tuner	Tuning range: 87.5MHz-107.9MHz Usable sensitivity: 8.5dBf 50dB quieting sensitivity: 10dBf Stereo separation @ 1kHz: >30dB Frequency response: 30Hz-13kHz
AM Tuner	Tuning range: 530kHz-1710kHz Usable sensitivity: 22uV Frequency response: 30Hz-2.2kHz
General	Speaker output impedance: 4-8 ohms Line output voltage: 2 Volts RMS
Bluetooth® Profiles	A2DP (advanced audio distribution profile) AVRCP (audio video remote control profile)

Design and specifications subject to change without notice.



CEA-2006 Power Standard Specifications (reference: 14.4VDC +/- 0.2V, 20Hz-20kHz)

Power Output: 18 Watts RMS x 4 channels at 4 ohms and $\leq 1\%$ THD+N
 Signal to Noise Ratio: 70dBA (reference: 1 watt into 4 ohms)



FCC Compliance

This device complies with Part 15 of the FCC Rules. Operation is subject to the following two conditions:

- (1) this device may not cause harmful interference, and
- (2) this device must accept any interference received, including interference that may cause undesired operation.

Warning: Changes or modifications to this unit not expressly approved by the party responsible for compliance could void the user's authority to operate the equipment.

Note: This equipment has been tested and found to comply with the limits for a Class B digital device, pursuant to Part 15 of the FCC Rules. These limits are designed to provide reasonable protection against harmful interference in a residential installation. This equipment generates, uses and can radiate radio frequency energy and, if not installed and used in accordance with the instructions, may cause harmful interference to radio communications. However, there is no guarantee that interference will not occur in a particular installation. If this equipment does cause harmful interference to radio or television reception, which can be determined by turning the equipment off and on, the user is encouraged to try to correct the interference by one or more of the following measures:

- Reorient or relocate the receiving antenna.
- Increase the separation between the equipment and receiver.
- Connect the equipment into an outlet on a circuit different from that to which the receiver is connected.
- Consult the dealer or an experienced radio/TV technician for help.

Dual Electronics Corp.
Toll Free: 1-866-382-5476
Monday-Friday, 9AM-5PM, EST

©2017 Dual Electronics Corp. All rights reserved.

iPhone, iPod, iPod classic, iPod nano, and iPod touch are trademarks of Apple Inc., registered in the U.S. and other countries.

"Made for iPod" and "Made for iPhone" mean that an electronic accessory has been designed to connect specifically to iPod or iPhone, respectively, and has been certified by the developer to meet Apple performance standards. Apple is not responsible for the operation of this device or its compliance with safety and regulatory standards. Please note that the use of this accessory with iPod or iPhone may affect wireless performance.

The Bluetooth® word mark and logos are owned by the Bluetooth SIG, Inc. and any use of such marks by Namsung is under license.

Other trademarks and trade names are those of their respective owners.

NSA0317-V01