

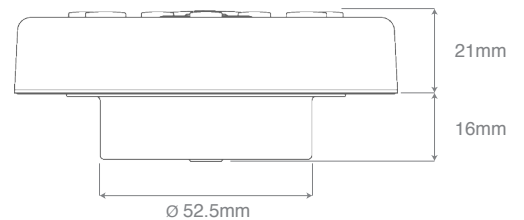
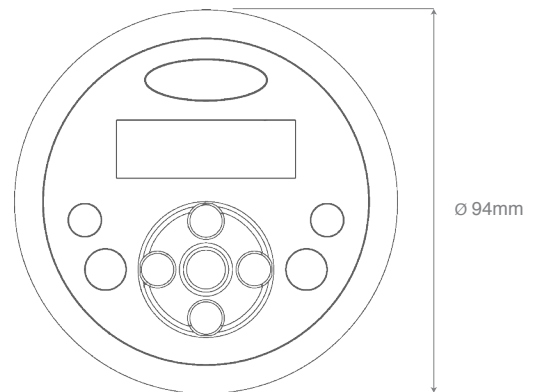
AQ-WR-4F WIRED FLUSH-MOUNT REMOTE CONTROL



Specifications:

Type:	Wired Flush-Mount Remote Control
LCD:	Yes
Power Requirement:	12V DC, 50mA (off Source Unit)
Standby Power:	0.3mA
Waterproof:	Yes - IP66 & CFR46 compliant
UV Protection:	Yes - ASTM D4329 compliant, 500hrs stable
Salt/Fog Protection:	Yes - ASTM B117 compliant, 500hrs stable
Outside Diameter:	94mm
Surface Mount Depth:	16mm
Cut-out Diameter:	52.5mm
Additional Features:	Polished Stainless Steel Bezel
Accessories:	Extension cables: AQ-EXT-3 (3ft), AQ-EXT-12 (12ft), AQ-EXT-24 (24ft) all sold separately

Dimensions:



Design and specification subject to change without notice.E&OE

Aquatic AV

282 Kinney Drive
San Jose, CA 95112, USA

E-mail: info@aquaticav.com

US & Canada: 1 877 579 2782

International: +1 408 559 1668

Fax: +1 408 559 0125

www.aquaticav.com