



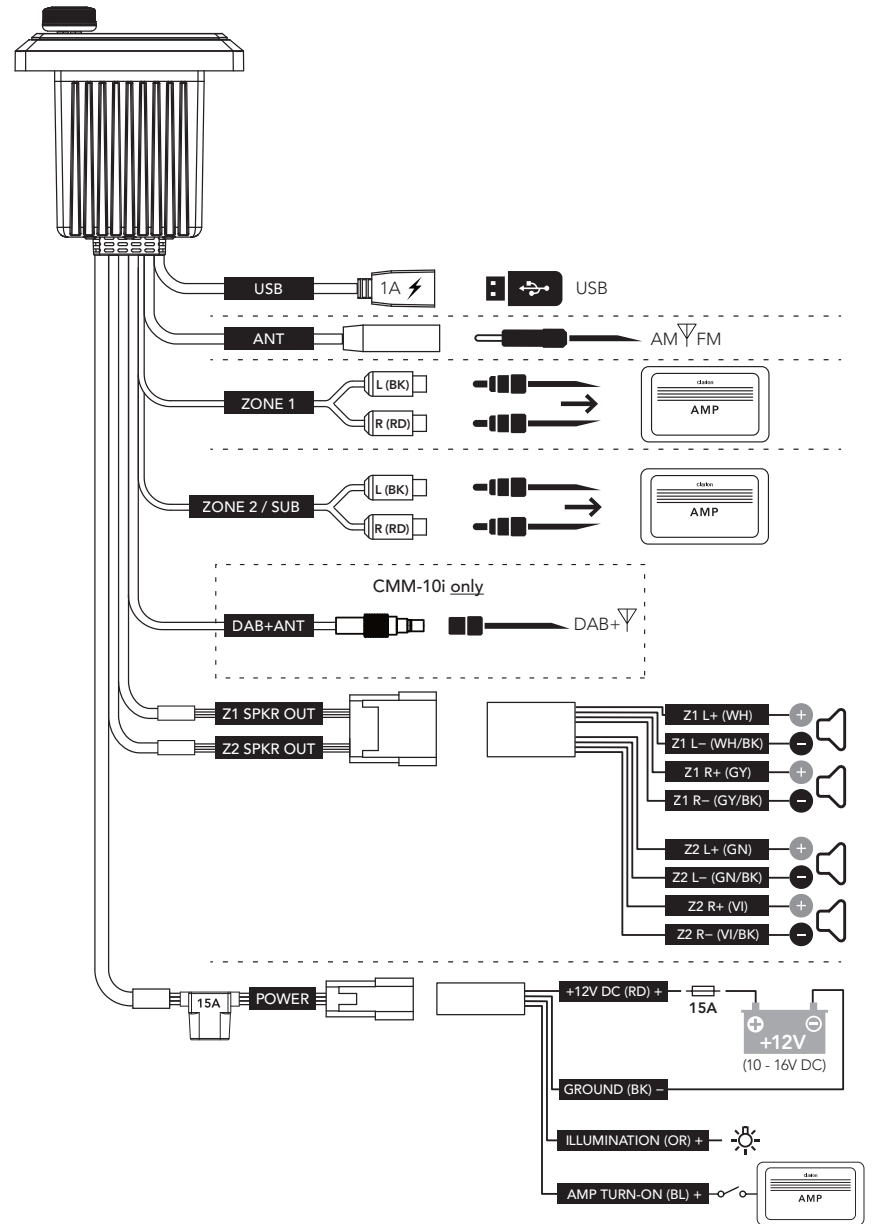
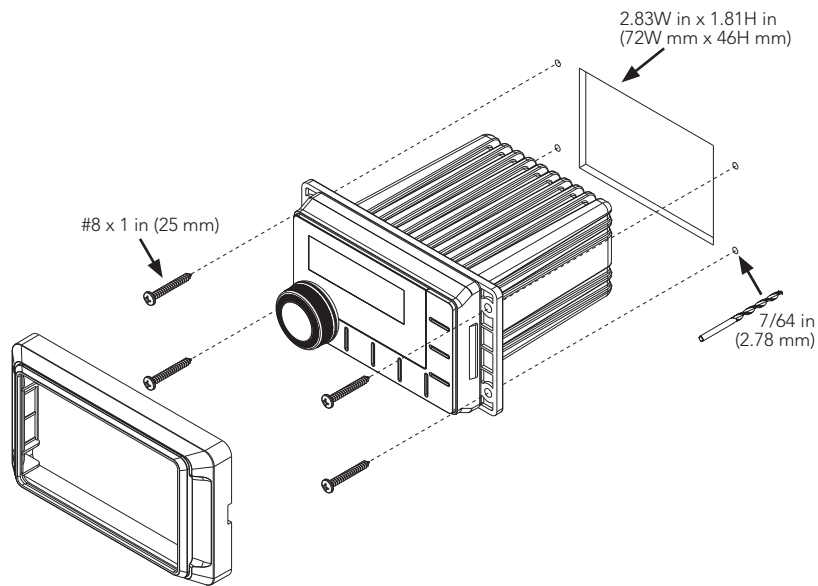
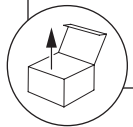
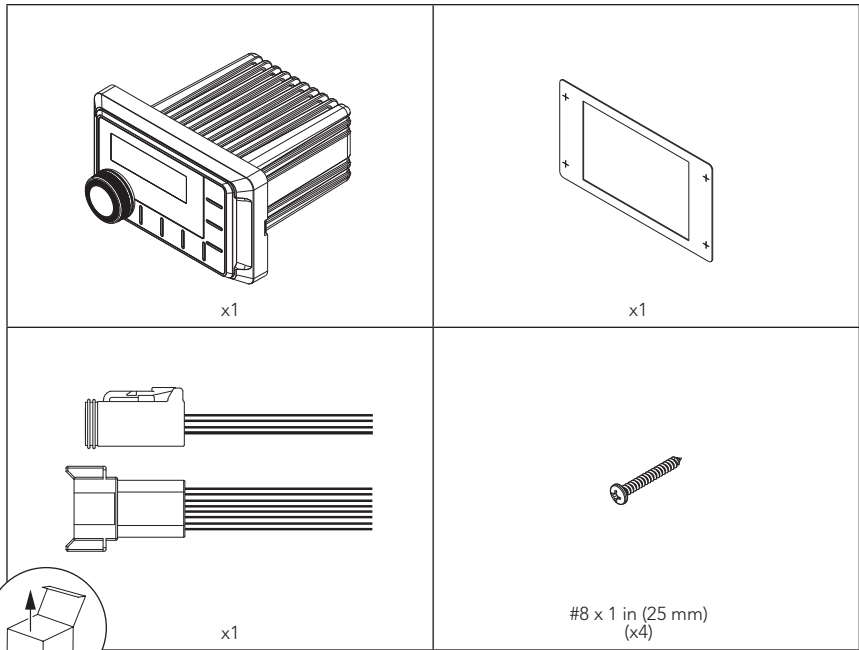
CMM-10/CMM-10i

Marine Source Unit with LCD Display

OWNER'S MANUAL
MANUEL D'UTILISATION
MANUAL DEL PROPIETARIO
BEDIENUNGSANLEITUNG
MANUALE DEL PROPRIETARIO



CMM-10i only



FCC COMPLIANCE STATEMENT

This device complies with Part 15 of the FCC Rules. Operation is subject to the following two conditions: (1) this device may not cause harmful interference, and (2) this device must not accept any interference received, including interference that may cause undesired operation. These limits are designed to provide reasonable protection against harmful interference in a residential installation.

This equipment generates, uses and can radiate radio frequency energy and, if not installed in accordance with the instructions, may cause harmful interference to radio communications. However, there is no guarantee that interference will not occur in a particular installation. If this equipment does cause harmful interference to radio or television reception, the user is encouraged to try to correct the interference by one or more of the following measures:

- Reorient or relocate the receiving antenna.
- Increase separation between the equipment and the receiver.
- Connect the equipment to an outlet on a circuit different from that to which the receiver is connected.
- Consult the dealer or an experienced radio/TV technician for help.

Any changes or modifications not expressly approved by the party responsible for compliance could void the user's authority to operate this equipment.

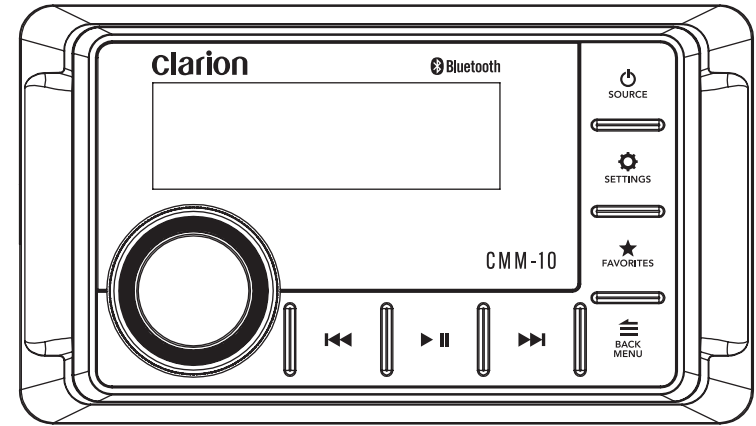
SAFETY CONSIDERATIONS

- Only use this product in vehicles with 12 volt, negative-ground electrical systems. This product is not certified or approved for use in aircraft.
- Mount this product securely to prevent damage or injury in severe conditions.
- Do not replace the power wire fuse with one of a different value. Never bypass the fuse.
- Listen to your audio system at levels appropriate for operating conditions and hearing safety.



INSTALLATION CONSIDERATIONS



- Installation requires appropriate tools and safety equipment. Professional installation is recommended.
- This product is water-resistant. Do not submerge or subject to high-pressure water spray.
- Before installation, turn off the audio system and disconnect the battery system from the audio system.
- Install in a dry, well-ventilated location that does not interfere with your factory-installed systems. If a dry environment is not available, a location that is not exposed to heavy splashing may be used.
- Before cutting or drilling, check for potential obstacles behind mounting surfaces.
- Carefully route all system wiring away moving parts and sharp edges; secure with cable ties or wire clamps and use grommets and loom where appropriate to protect from sharp edges.



GENERAL CONTROL FUNCTIONS







Control		Function
	Volume/ Select	<ul style="list-style-type: none"> • Rotate to adjust volume • Rotate/press for navigation and making selections
	Source/ Power	<ul style="list-style-type: none"> • Short press to turn ON; Long press to turn OFF • Short press to advance through available sources
	Settings	<ul style="list-style-type: none"> • Short press to access audio settings (Bass/Treble/Balance/Fader) • Long press to access system settings (Z2-Sub/Beep/Area/Dimmer/Diagnostic)
	Back/ Menu	<ul style="list-style-type: none"> • Short press to go back one step or access source specific menus
	Favorites	<ul style="list-style-type: none"> • Short press to access stored presets • Long press to store a frequency as a preset (up to 9 FM, 9 AM and 9 DAB+)
	Mute/ Pause	<ul style="list-style-type: none"> • Short press to mute/unmute audio (AM/FM/DAB+) or pause/resume the current selection (USB/Bluetooth)
	Forward	Short press to: <ul style="list-style-type: none"> • Manually adjust tuner forwards (AM/FM/DAB+) • Select the next track (USB/Bluetooth) Long press to: <ul style="list-style-type: none"> • Seek to the next channel (AM/FM/DAB+) • Fast-forward (USB/Bluetooth)
	Backward	Short press to: <ul style="list-style-type: none"> • Manually adjust tuner backwards (AM/FM/DAB+) • Restart track/select the previous track (USB/Bluetooth) Long press to: <ul style="list-style-type: none"> • Seek to the previous channel (AM/FM/DAB+) • Fast-rewind (USB/Bluetooth)

SYSTEM MENU SETTINGS	
 SETTINGS	<ul style="list-style-type: none"> • Long press to access settings
	<ul style="list-style-type: none"> • Rotate to navigate • Press to make selections
Setting	Function
Z2/SUB	Configures preamp outputs: Z2 (rear) or Subwoofer
BEEP	Audible button press confirmation: On or Off
AREA	Configures tuner region: USA, Europe, Australia or Other
DIMMER	Configures display and button brightness from 0 to +10
DIAG	Displays software version for diagnostics

AUDIO MENU SETTINGS	
 SETTINGS	<ul style="list-style-type: none"> • Short press to access settings
	<ul style="list-style-type: none"> • Rotate to navigate • Press to make selections
Setting	Function
BASS	Bass level control from -10 to +10
TREBLE	Treble level control from -10 to +10
BALANCE	Balance control from full left (L10) to full right (R10)
FADER	Fader control from full front (Z1: 10) to full rear (Z2: 10)
SUB	Subwoofer preamp level control from 0 to +10 (Z2/SUB must be set to SUB)

FAVORITES MENU SETTINGS	
 FAVORITES	<ul style="list-style-type: none"> • Short press to access settings/stored presets • Long press to store a frequency as a preset (up to 9 FM, 9 AM and 9 DAB+)
	<ul style="list-style-type: none"> • Rotate to navigate • Press to make selections
Setting	Function
DELETE	Select from stored presets for removal
REPLACE	Permits replacement when all preset locations are occupied

BLUETOOTH MENU SETTINGS	
 BACK/MENU	<ul style="list-style-type: none"> • Short press to access settings
	<ul style="list-style-type: none"> • Rotate to navigate • Press to make selections
Setting	Function
PAIR NEW DEVICE	Initiates Pairing Mode (current connected devices will be disconnected)
CONNECT PAIRED DEVICE	Display all paired devices for connection
SET PRIMARY DEVICE	Assign priority to a paired device for automatic connection
DELETE PAIRED DEVICE	Select from paired devices for removal
DELETE ALL DEVICES	Removes all paired devices from memory

USB MENU SETTINGS	
 BACK/MENU	<ul style="list-style-type: none"> • Short press to access settings
	<ul style="list-style-type: none"> • Rotate to navigate • Press to make selections
Setting	Function
RANDOM	Random playback of all tracks within all folders: On or Off
REPEAT	Repeats playback of the current track: On or Off
PLAY ALL	Plays all tracks within all folders: On or Off
FOLDERS	Displays folders within the USB
TRACKS	Displays tracks not located within a folder

SPECIFICATIONS

Electrical	
Operating Voltage	14.4V DC (10V – 16V)
Operating Temperature	-4° F to +140° F (-20° C to +60° C)
Current Draw / Fuse Value	15 A (max) / 40 mA (standby) / 15 A
Remote Turn-On Output	500 mA
Display	2.09 in. TFT LCD backlit
Tuner	
FM Tuner	USA: 87.9 MHz to 107.9 MHz (0.2 MHz step) EUR: 87.50 MHz to 108.00 MHz (0.05 MHz step) AUS: 87.50 MHz to 108.00 MHz (0.10 MHz step) OTHER: 87.50 MHz to 108.00 MHz (0.05 MHz step)
AM Tuner	USA: 530 kHz to 1710 kHz (10 kHz step) EUR: 531 kHz to 1602 kHz (9 kHz step) AUS: 531 kHz to 1629 kHz (9 kHz step) OTHER: 531 kHz to 1629 kHz (9 kHz step)
Favorites	Up to 9 FM, 9 AM and 9 DAB+
Bluetooth®	
Profile	5.0
Core Specification / Codec	Version 2.1 + EDR / SBC
Connection Range	Up to 35 ft / 11 m
USB	
Interface	USB 2.0 High Speed
Supported Audio Formats	MP3, WMA, FLAC, WAV
File Limits	Folders: 255 Files in a single folder: 3,000 Total Files: 9,999
Charging Output	1 A
Preamp Audio Outputs	
Output Channels	Two stereo pairs of RCA plugs (1.5V RMS)
Zone 2 Configuration	Z2 (Rear) or Subwoofer
Amplified Audio Outputs	
Rated RMS Power @ 14.4V	20W x 4 @ 4 Ω
Audio Control Options	
Tone & Balance	Bass, Treble, Balance, Fader (Zone 1 / Zone 2 or Subwoofer)
Dimensions	
Unit W x H x D	4.33 in. x 2.48 in. x 3.15 in. (110 mm x 63 mm x 80 mm)
Mounting Hole W x H	2.83 in. x 1.81 in. (72 mm x 46 mm)

