

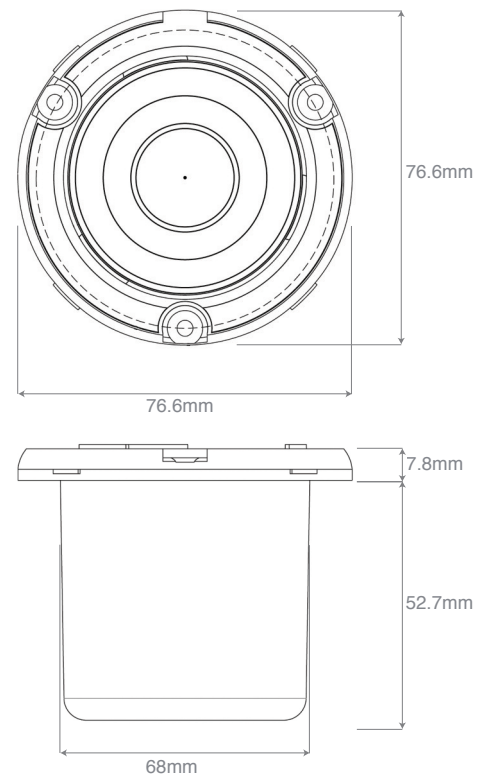
AQ-SPK2.0UN-4 2" FULL RANGE WATERPROOF SPEAKER



Specifications:

Waterproof:	Yes
Type:	2" Full-range, compact speaker
Cone Size:	2"
Outside Diameter:	76.6mm
Mounting Hole Diameter:	68mm
Mounting Depth:	52.7mm
Impedance:	4 Ohm
Frequency Response:	200Hz - 20kHz
Power (max):	60W
Power (RMS)	30W
Grill Material:	n/a
Basket Material:	ABS plastic, 500hrs stable
Cone Material:	Polypropylene
Rubber Surround:	Yes
Magnet Material:	PP Mica
Magnet Protection:	Plastic water guard
Weight (single speaker):	240g
Certification:	RoHS, ATSM B117, ASTM D4329
Additional Features:	Removable grill (optional)

Dimensions:



Design and specification subject to change without notice.E&OE

Aquatic AV

282 Kinney Dr.
San Jose, CA 95112, USA

E-mail: info@aquaticav.com

US & Canada: 1 877 579 2782

International: +1 408 559 1668

Fax: +1 408 559 0125

www.aquaticav.com